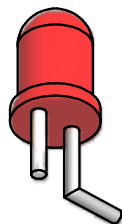
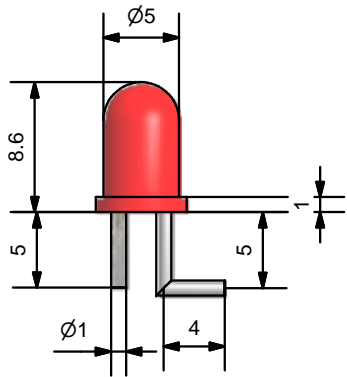
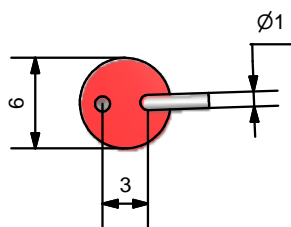


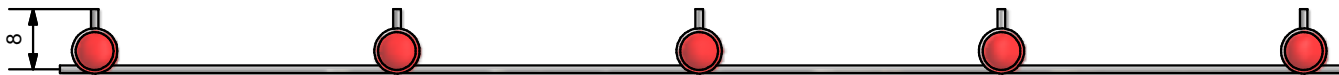
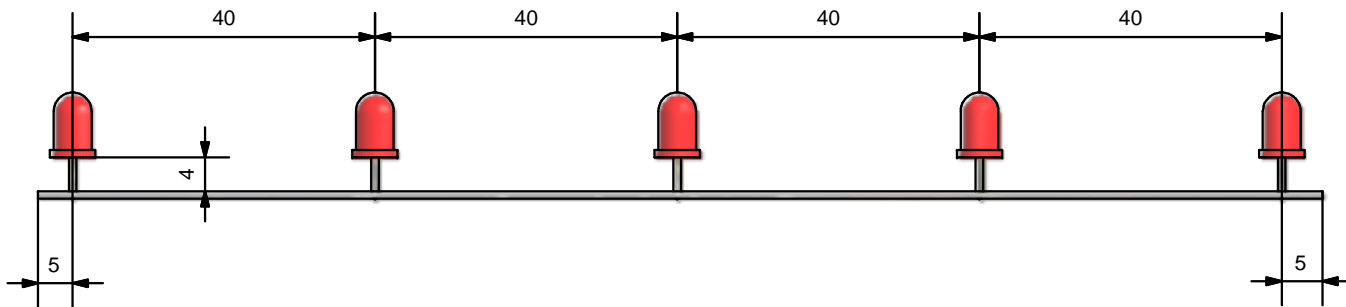
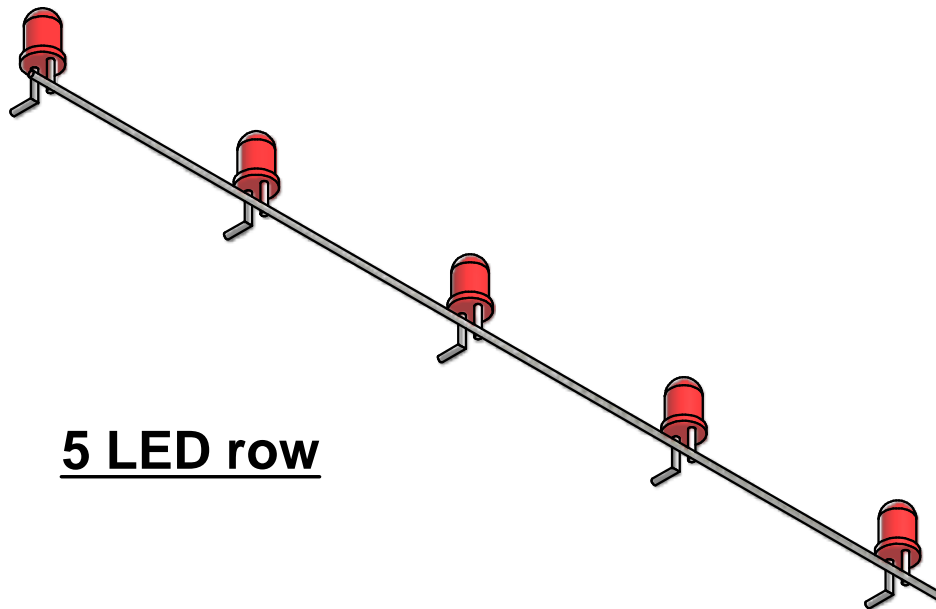
JR	LED Cube Maarten Pennings	
	Ontw./Design M. Pennings	Units: mm Org. date: Dec-03-2009
Get./Drawn J. Ridder	Format: A4	Update:
	Scale: no scale	Sheet: 1 of 7



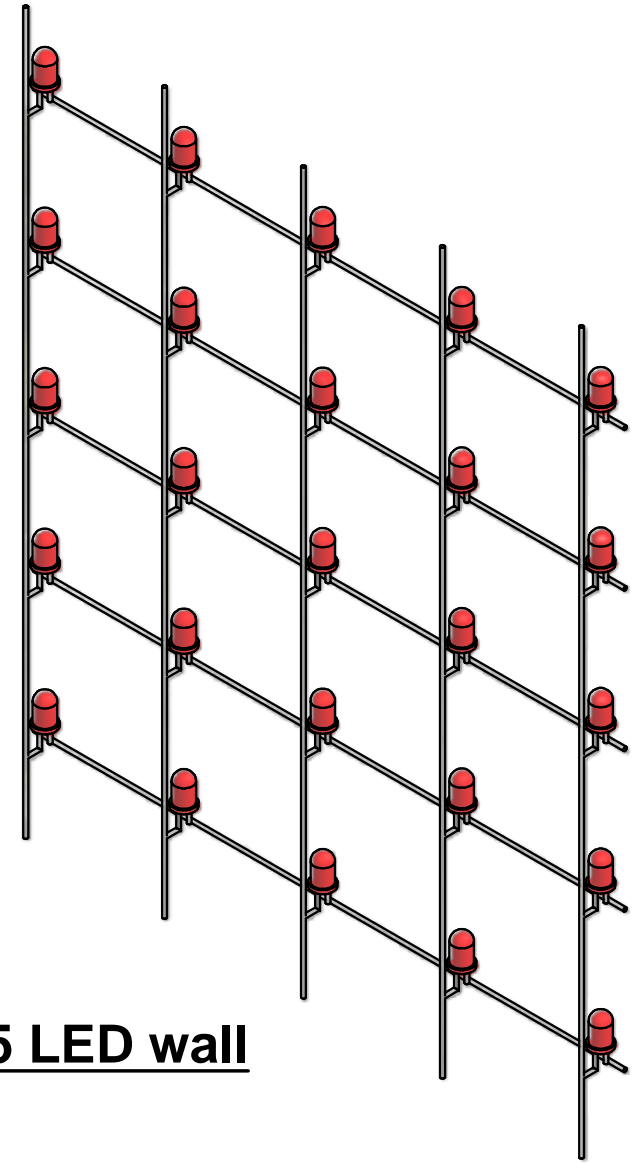
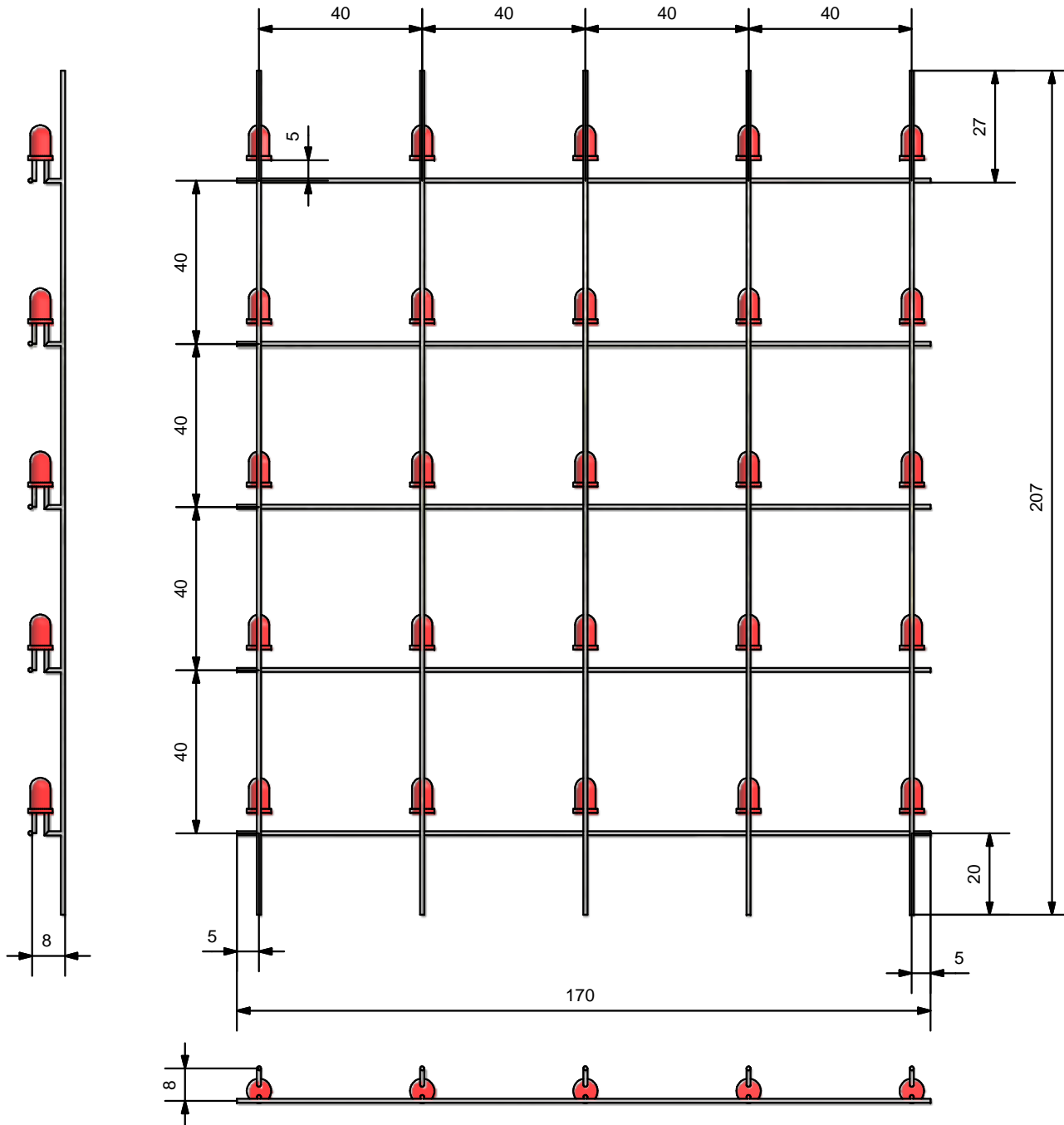
LED



5 LED row

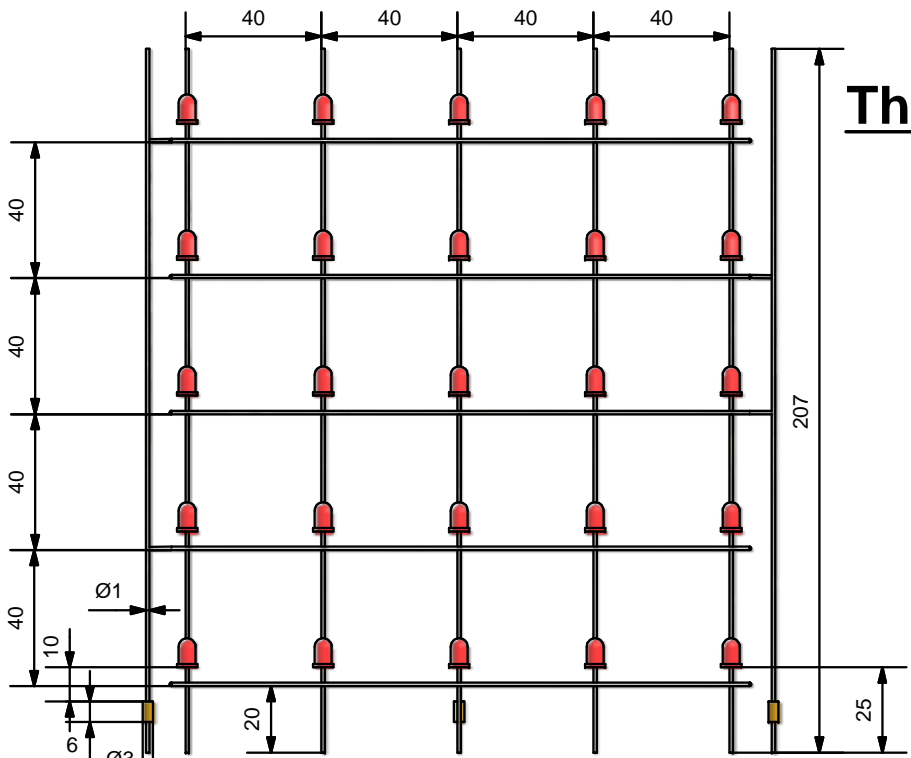


JR	LED Cube Maarten Pennings	
	Ontw./Design M. Pennings	Units: mm Org. date: Dec-030-2009
Get./Drawn J. Ridder	Format: A4	Update:
	Scale: no scale	Sheet: 2 of 7

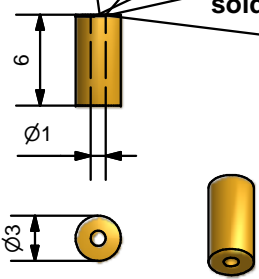
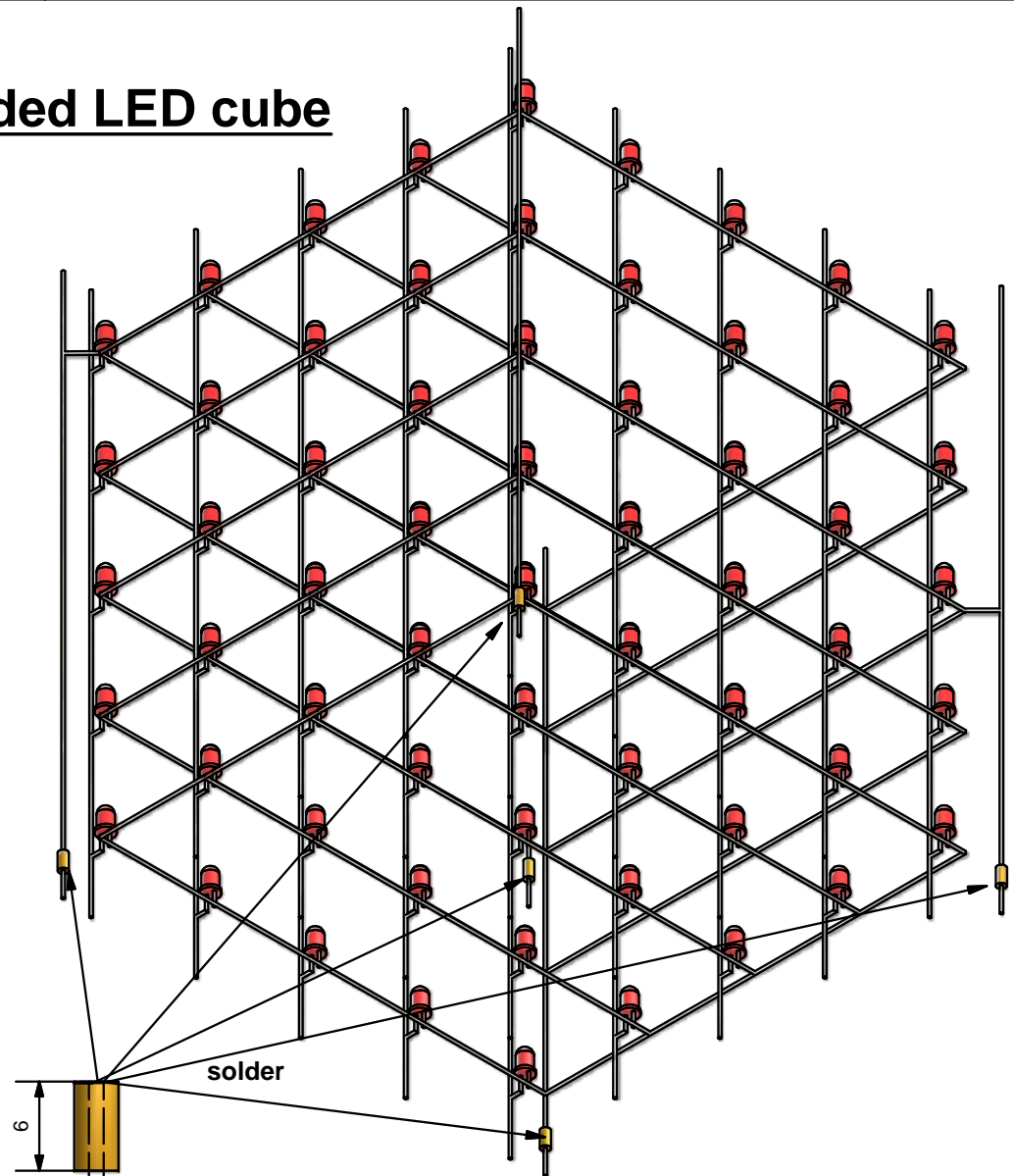
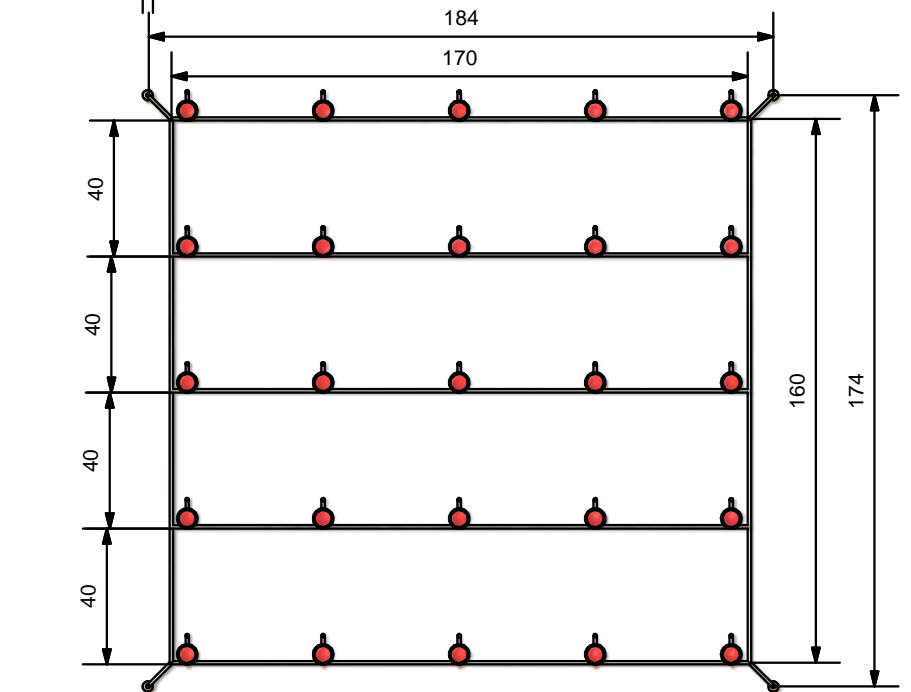


25 LED wall

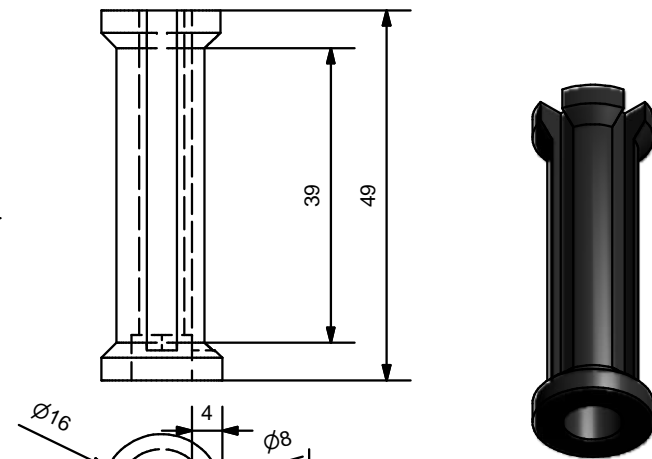
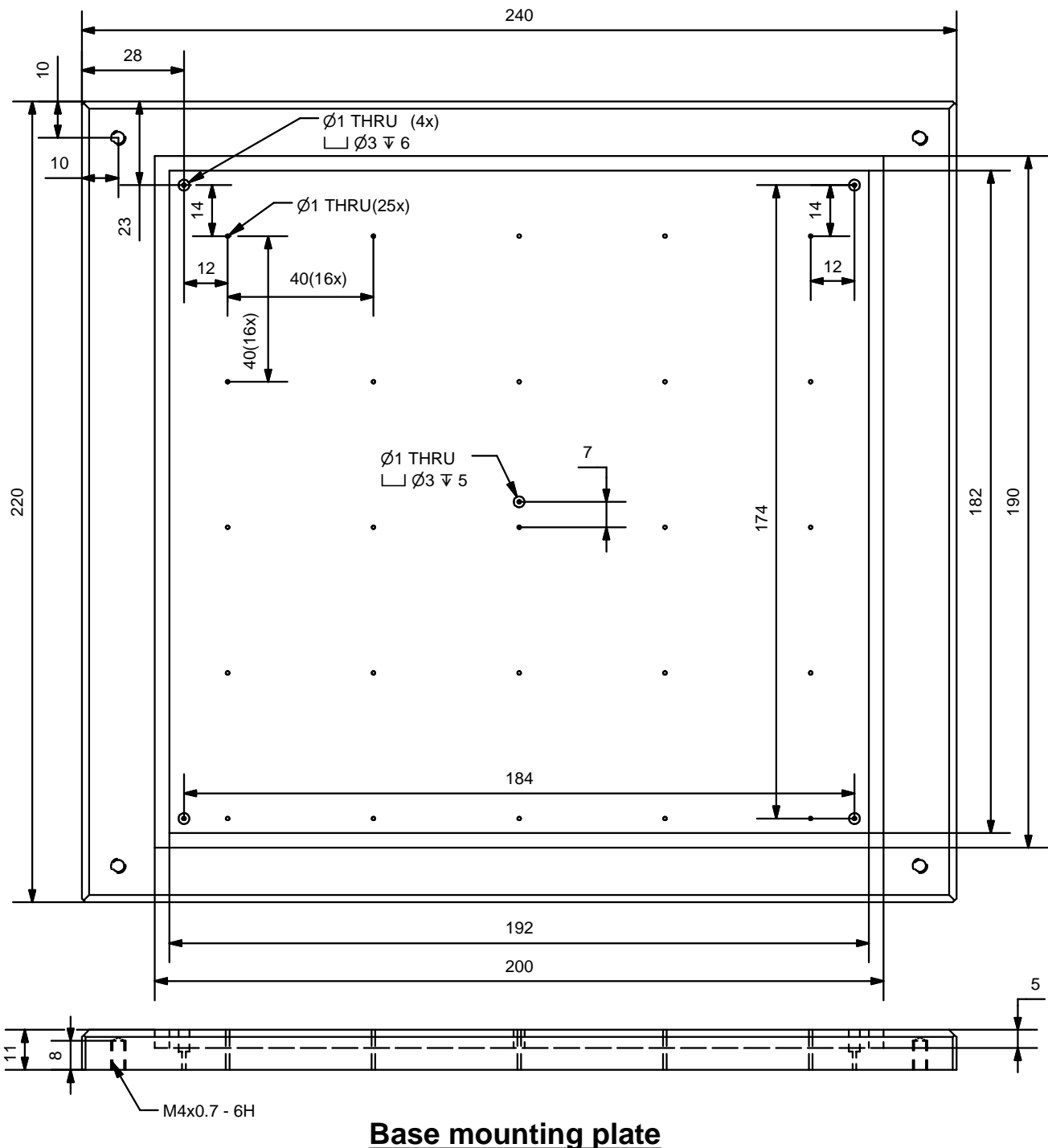
JR	LED Cube Maarten Pennings	
	Ontw./Design M. Pennings	Units: mm Org. date: Dec-03-2009
Get./Drawn J. Ridders	Format: A4	Update:
	Scale: no scale	Sheet: 3 of 7



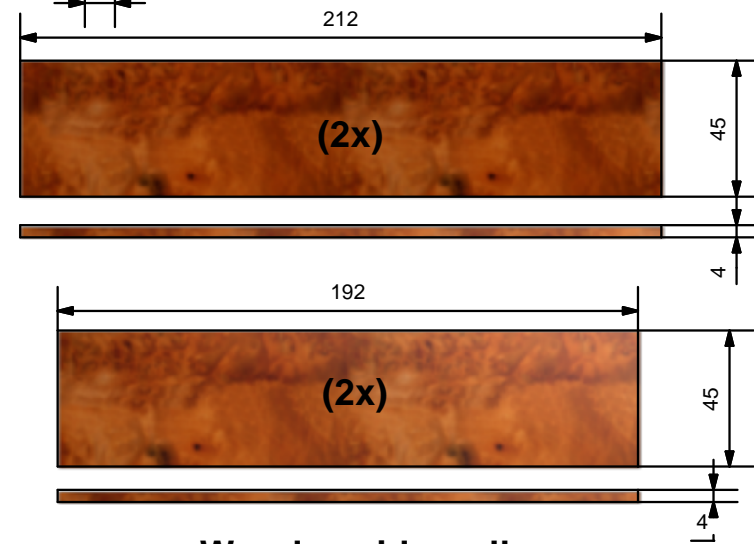
Threaded LED cube



JR	LED Cube Maarten Pennings	
	Ontw./Design M. Pennings	Units: mm Org. date: Dec-03-2009
Get./Drawn J. Ridders	Format: A4	Update:
	Scale: no scale	Sheet: 4 of 7

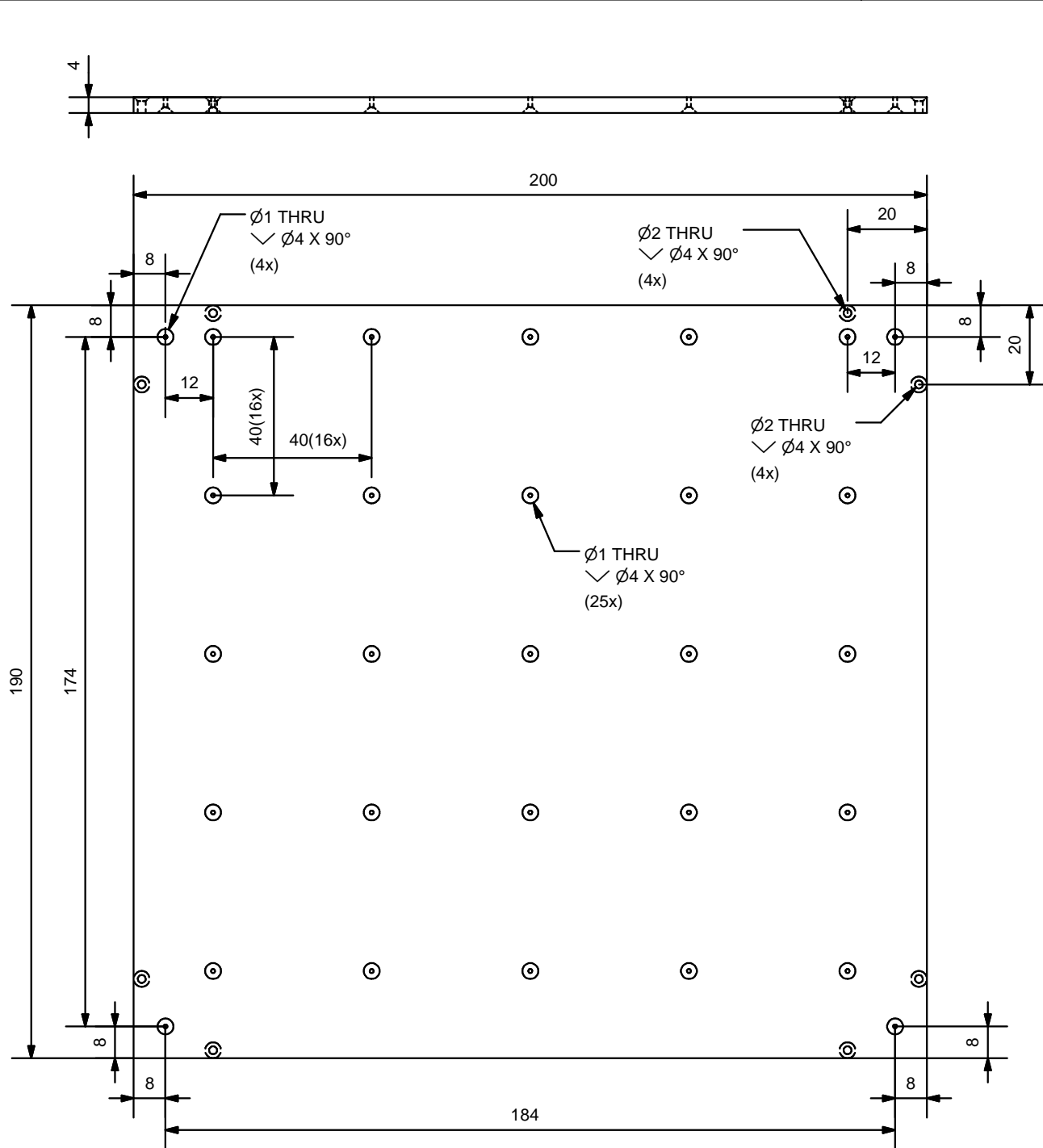


Pillar (4x)

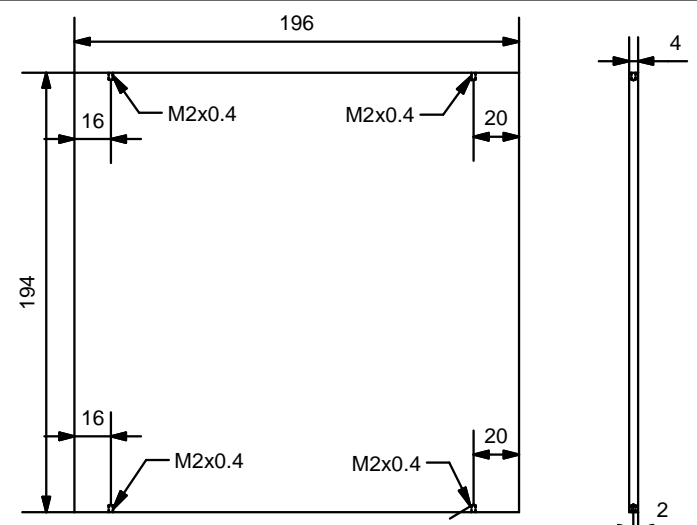


Wooden side walls

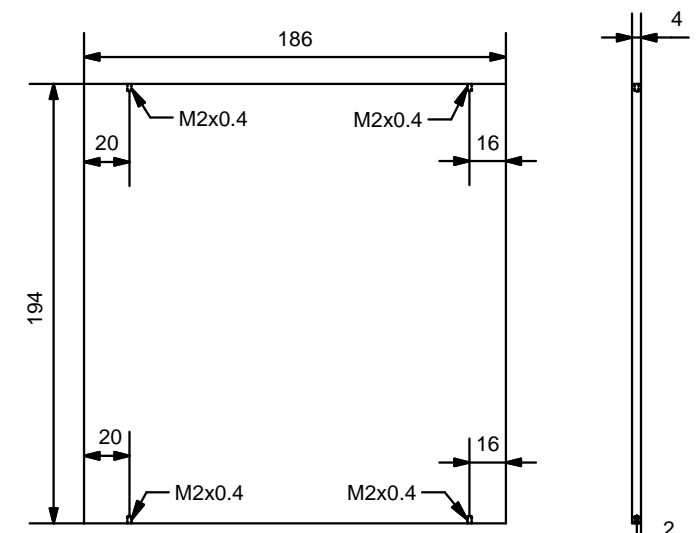
JR	LED Cube Maarten Pennings	
	Ontw./Design M. Pennings	Units: mm Org. date: Nov-10-2009
Get./Drawn J. Ridders	Format: A4	Update:
	Scale: no scale	Sheet: 5 of 7



Perspex top plate

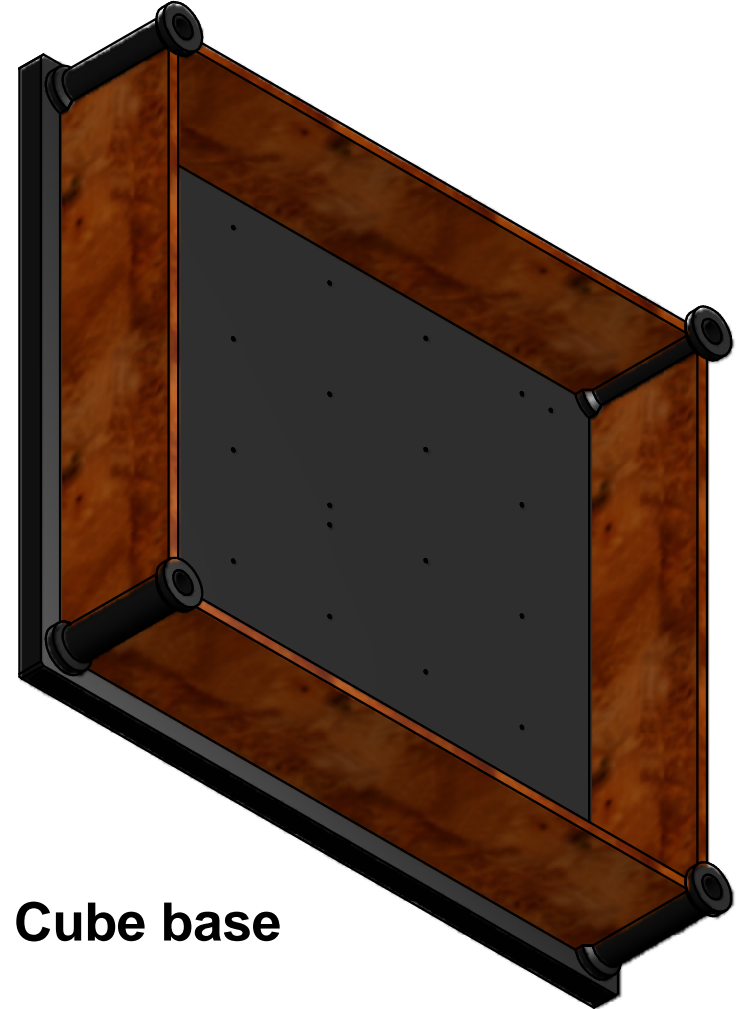
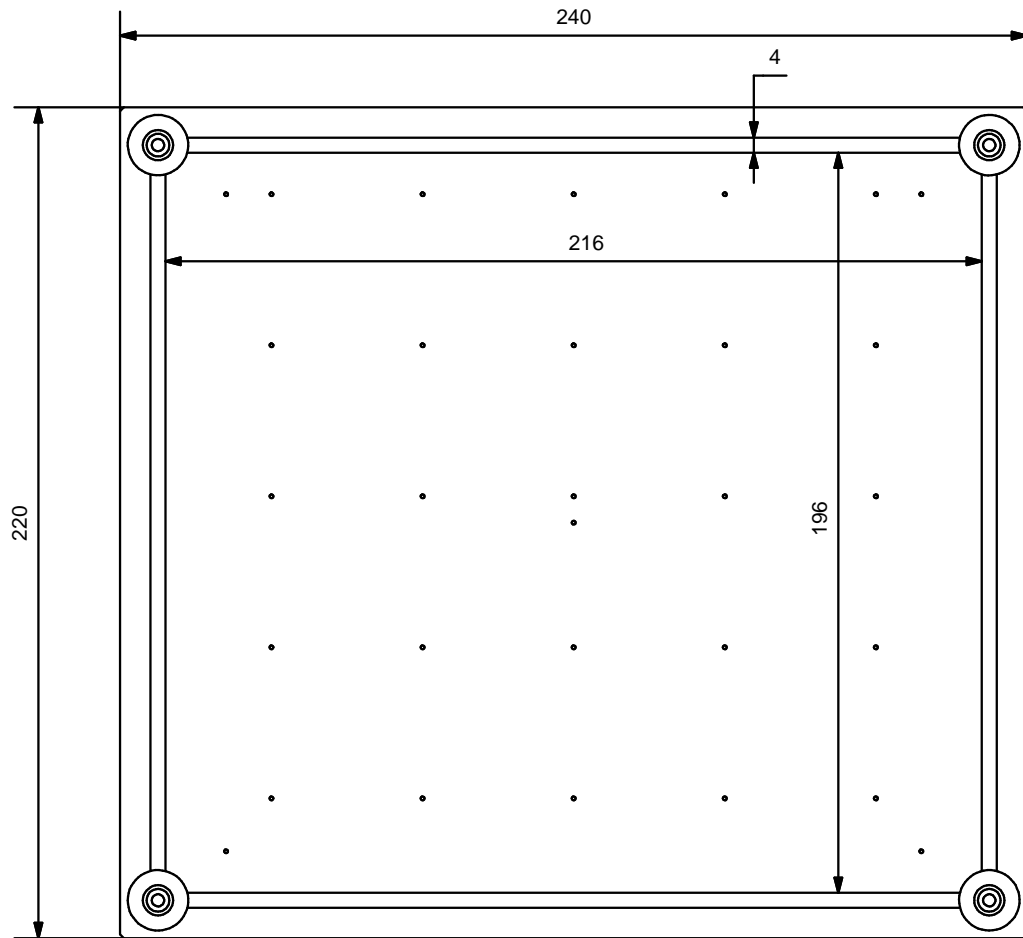


Perspex side wall (2x)

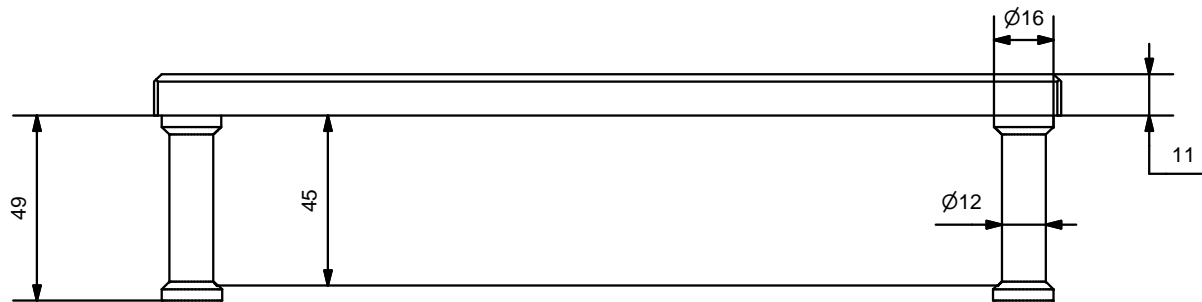


Perspex side wall (2x)

JR	LED Cube Maarten Pennings	
	Ontw./Design M. Pennings	Units: mm Org. date: Dec-03-2009
Get./Drawn J. Ridders	Format: A4	Update:
	Scale: no scale	Sheet: 6 of 7



LED Cube base



JR	LED Cube Maarten Pennings	
	Ontw./Design M. Pennings	Units: mm Org. date: Dec-03-2009
Get./Drawn J. Ridder	Format: A4	Update:
	Scale: no scale	Sheet: 7 of 7