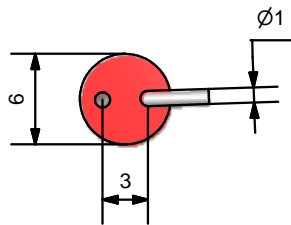
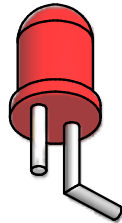
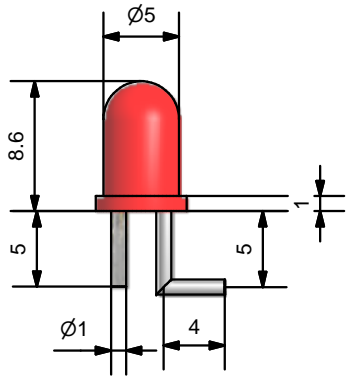
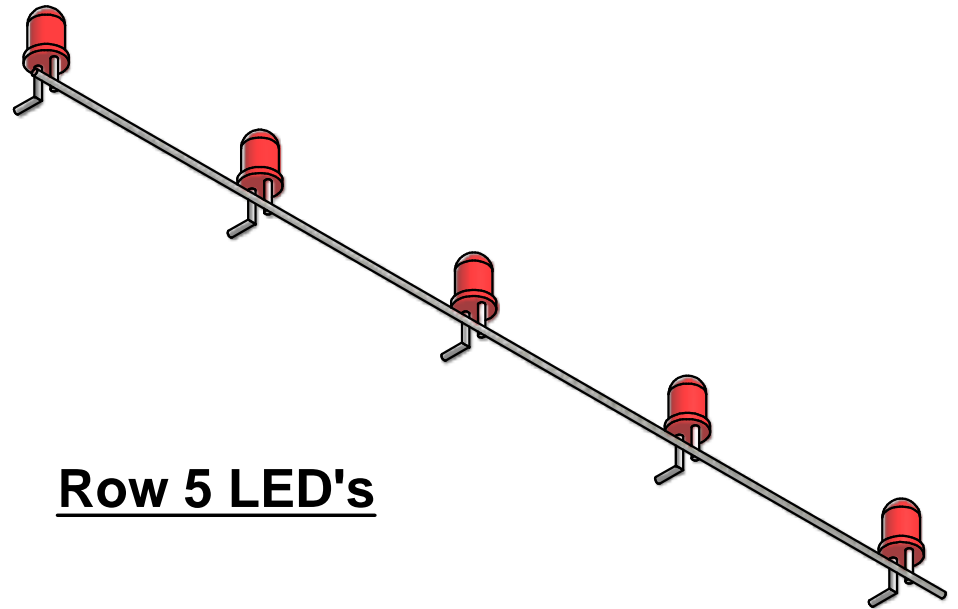


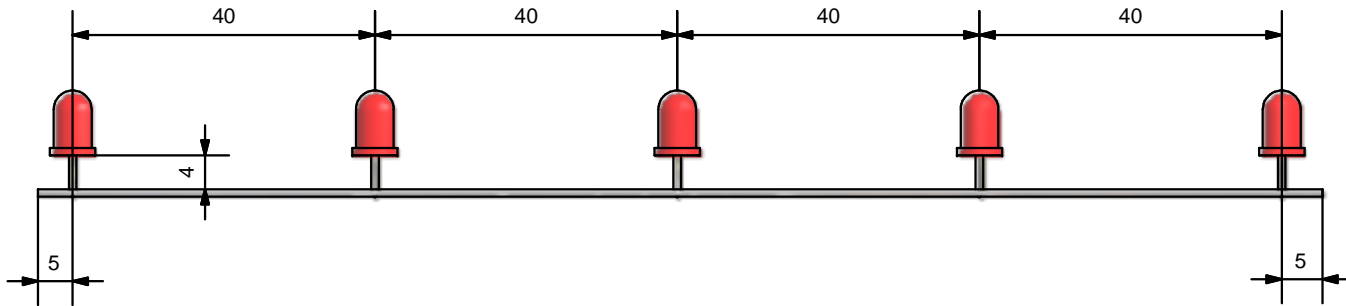
<b>JR</b>	<b>LED Cube Maarten Pennings</b>	
	Ontw./Design M. Pennings	Units: mm      Org. date: Nov-10-2009
Get./Drawn J. Ridder	Format: A4	Update:
	Scale: no scale	Sheet: 1 of 6



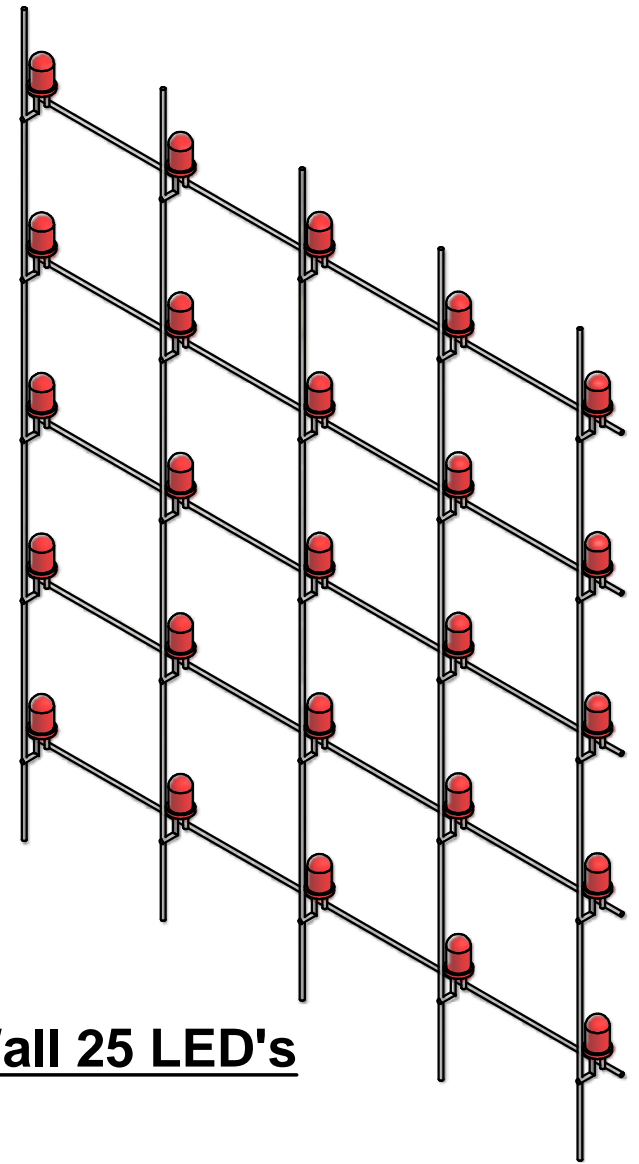
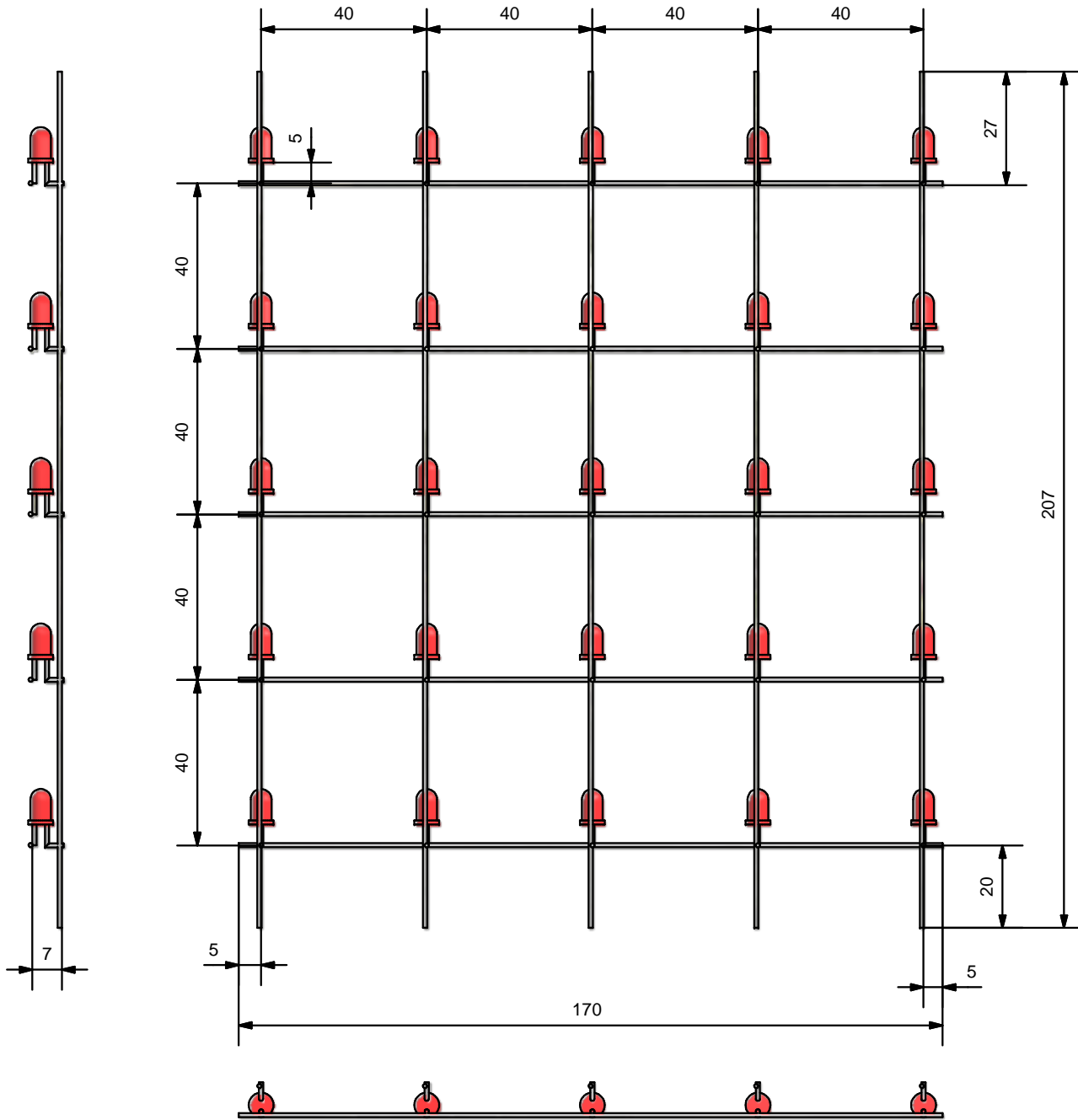
**LED**



**Row 5 LED's**



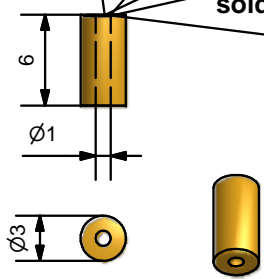
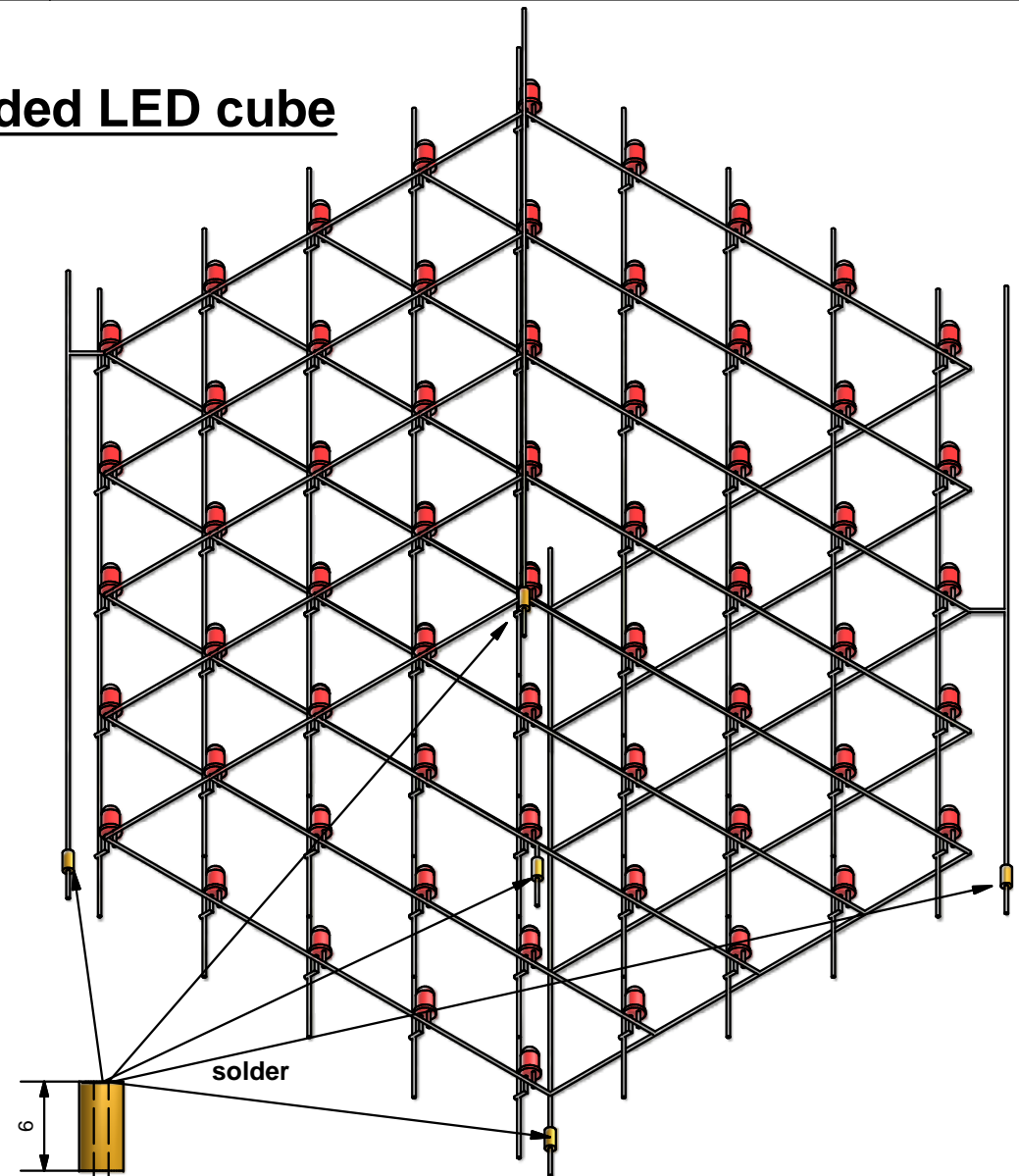
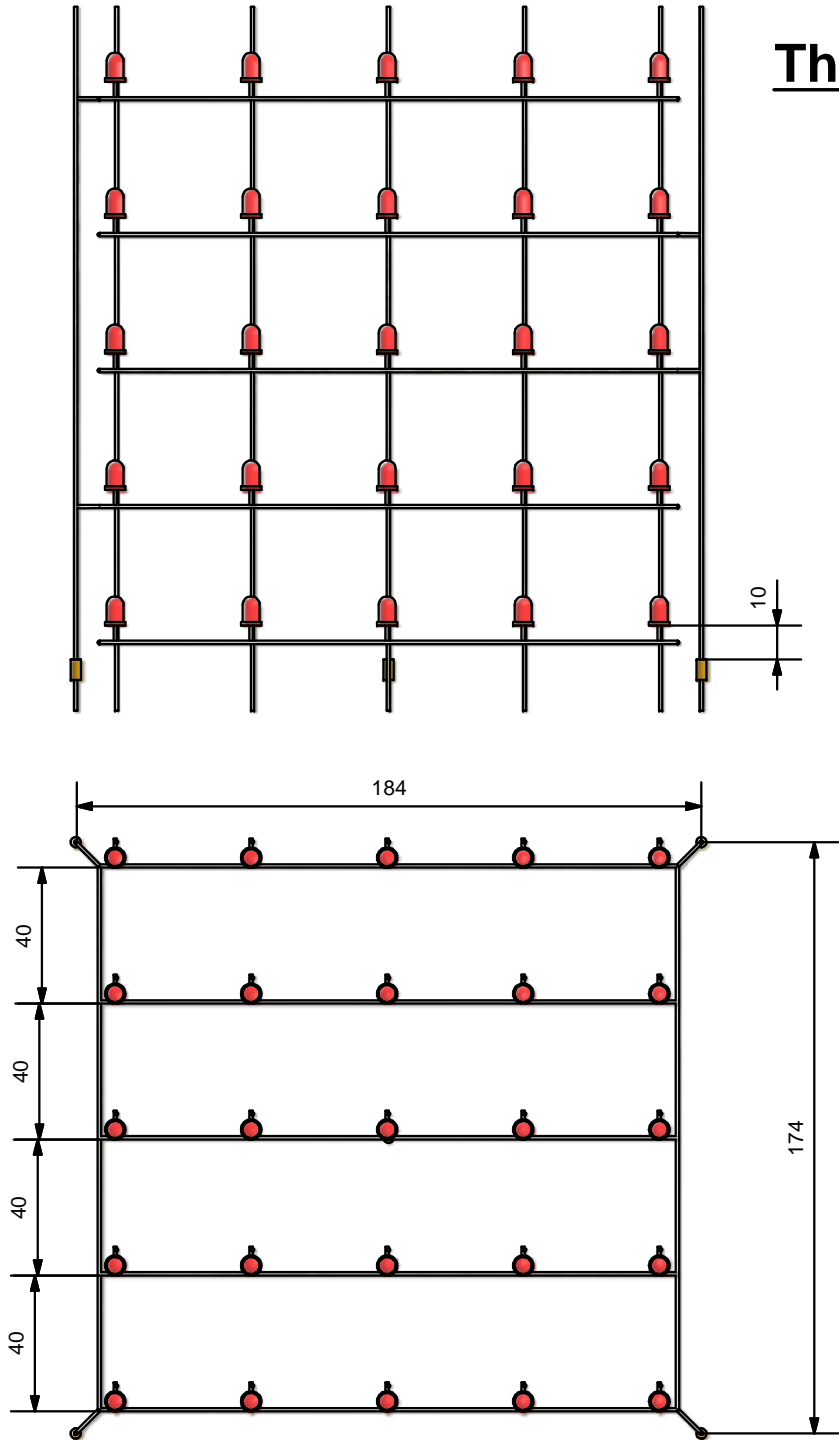
<b>JR</b>	<b>LED Cube Maarten Pennings</b>	
	Ontw./Design M. Pennings	Units: mm      Org. date: Nov-10-2009
Get./Drawn J. Ridder	Format: A4	Update:
	Scale: no scale	Sheet: 2 of 6



**Wall 25 LED's**

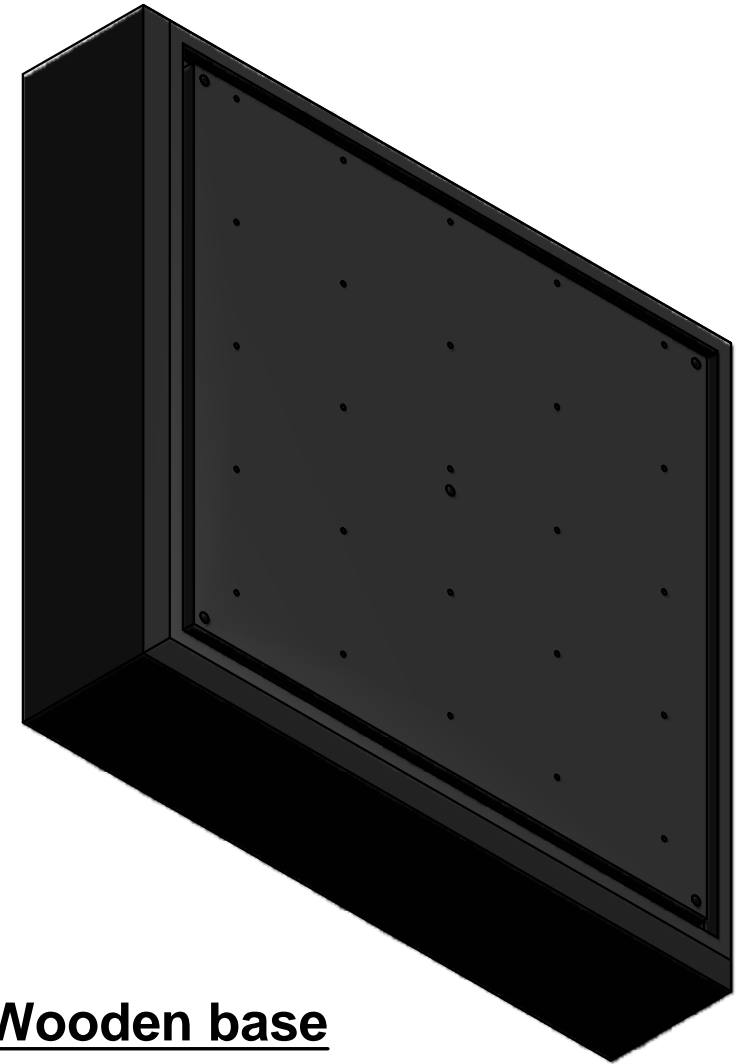
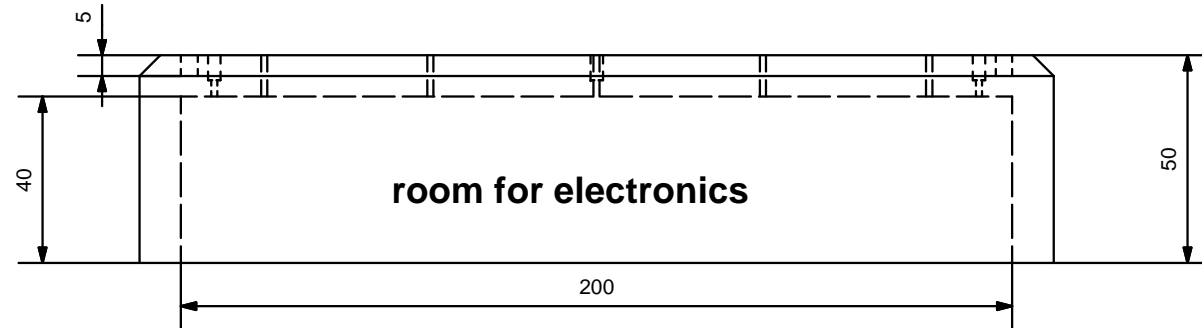
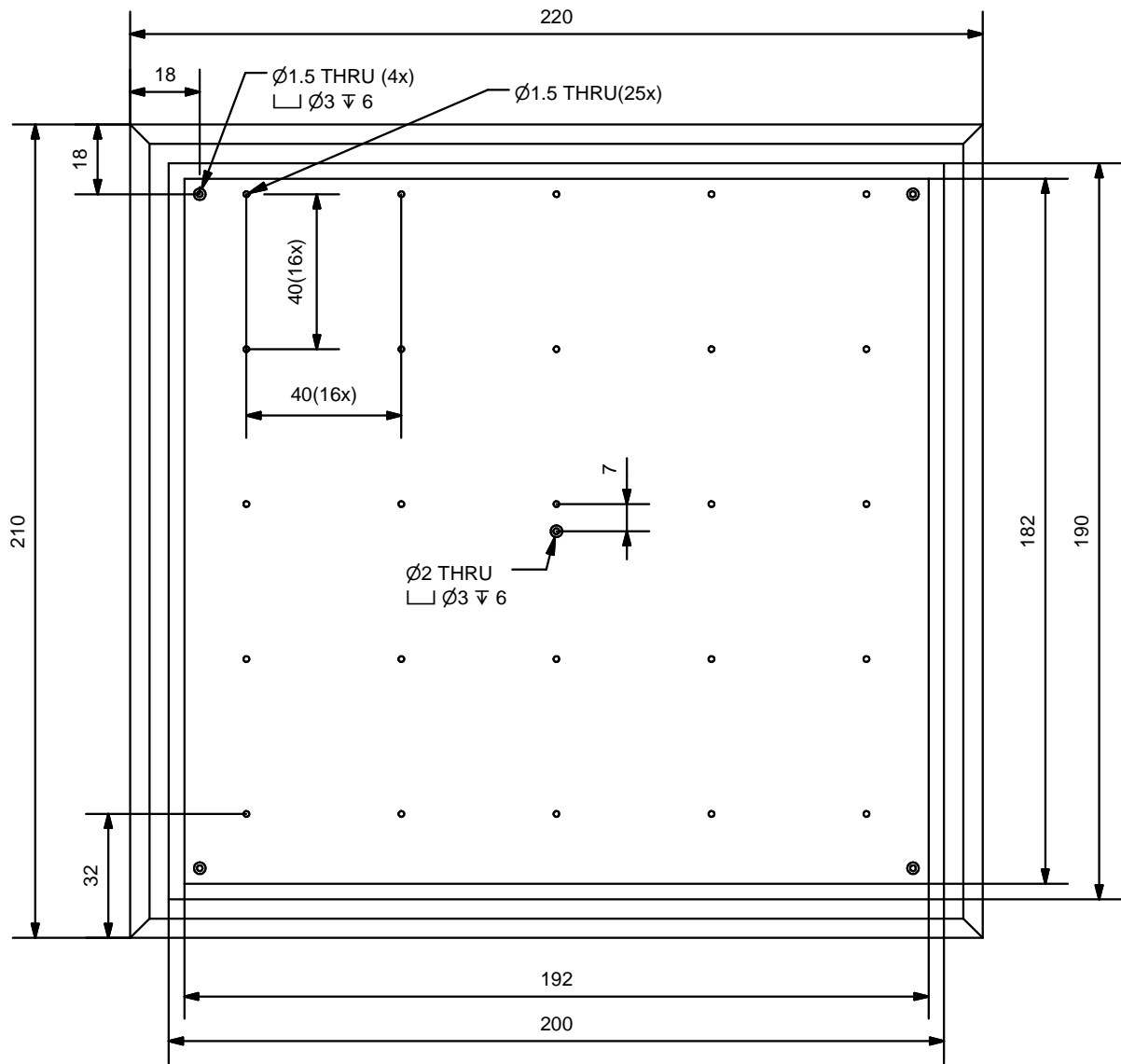
<b>JR</b>	<b>LED Cube Maarten Pennings</b>	
	Ontw./Design M. Pennings	Units: mm      Org. date: Nov-10-2009
Get./Drawn J. Ridders	Format: A4	Update:
	Scale: no scale	Sheet: 3 of 6

# Threaded LED cube



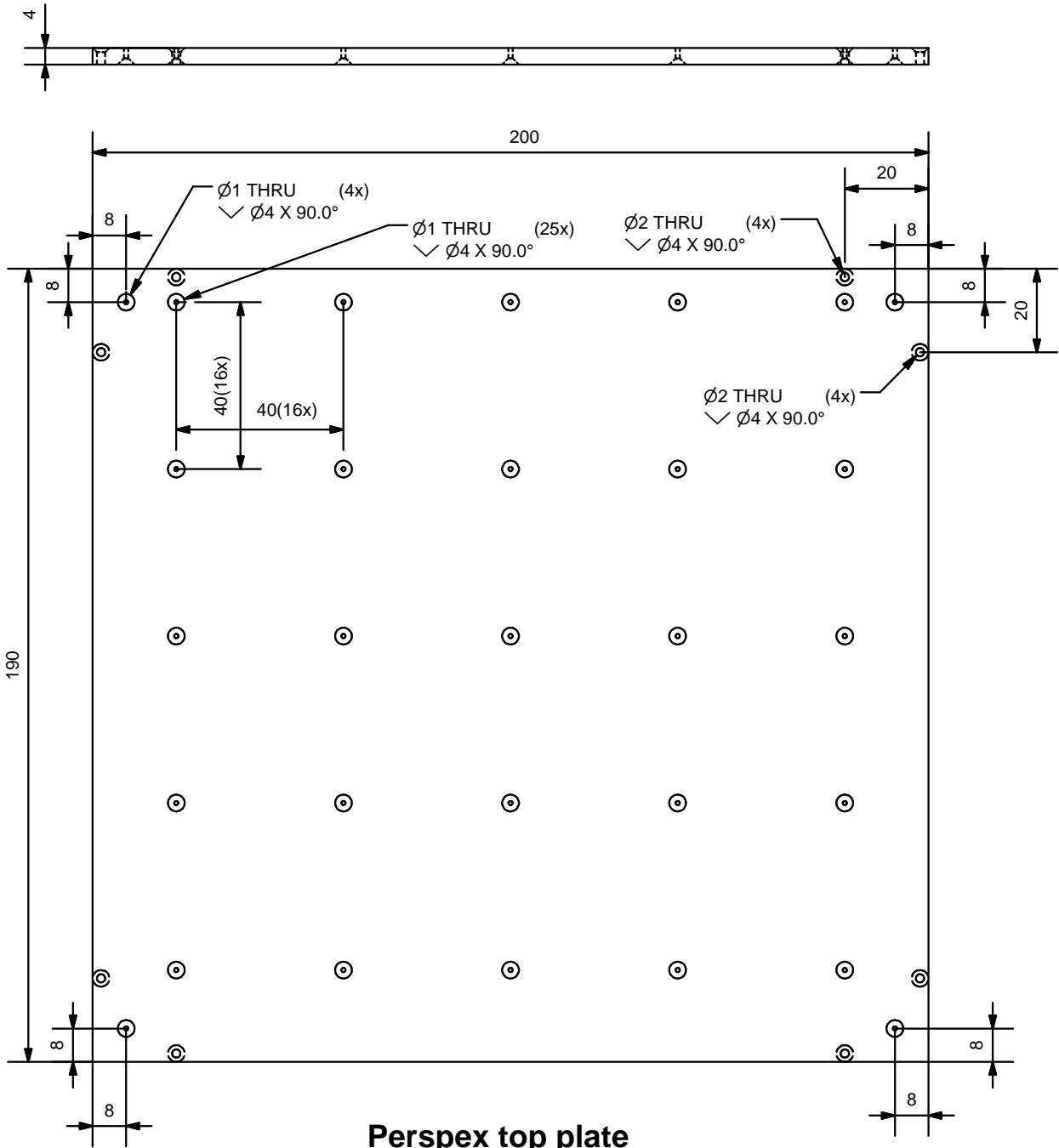
5 brass socks for mounting in wooden base

<b>JR</b>	<b>LED Cube Maarten Pennings</b>	
	Ontw./Design M. Pennings	Units: mm      Org. date: Nov-10-2009
Get./Drawn J. Ridders	Format: A4	Update:
	Scale: no scale	Sheet: 4 of 6

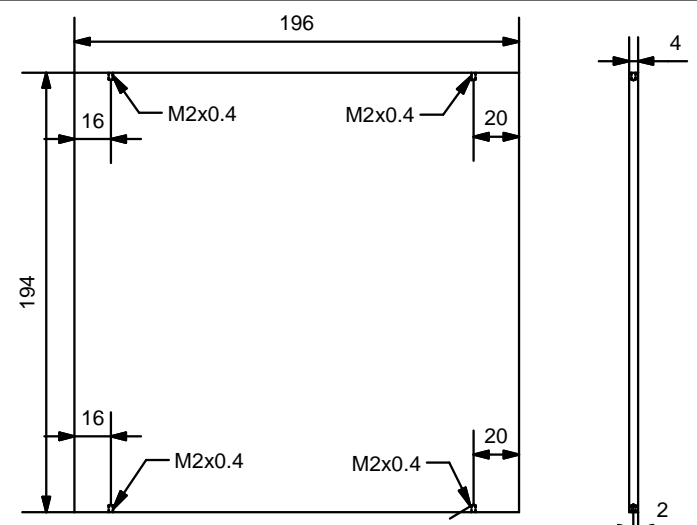


Wooden base

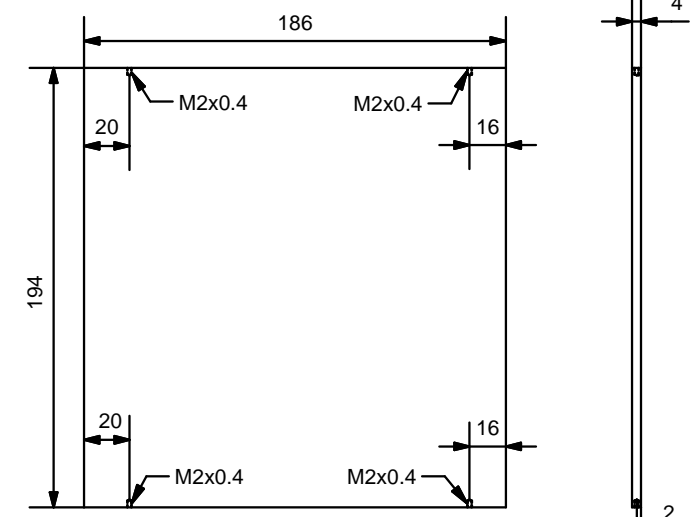
<b>JR</b>	<b>LED Cube</b> <b>Maarten Pennings</b>	
	Ontw./Design M. Pennings	Units: mm Org. date: Nov-10-2009
Get./Drawn J. Ridders	Format: A4	Update:
	Scale: no scale	Sheet: 5 of 6



**Perspex top plate**



**Perspex side wall (2x)**



**Perspex side wall (2x)**

<b>JR</b>	<b>LED Cube Maarten Pennings</b>	
	Ontw./Design M. Pennings	Units: mm      Org. date: Nov-10-2009
Get./Drawn J. Ridders	Format: A4	Update:
	Scale: no scale	Sheet: 6 of 6